

ZHS-0609 IR-CUT

ISO/TS16949 ISO9000 ISO14000
RoHS REACH CE UL VDE TÜV



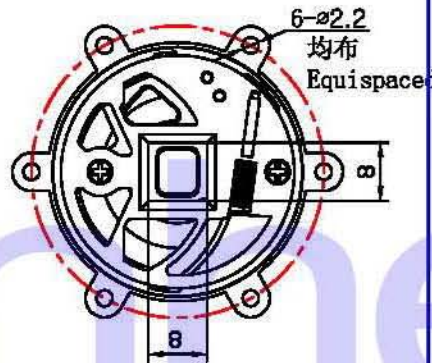
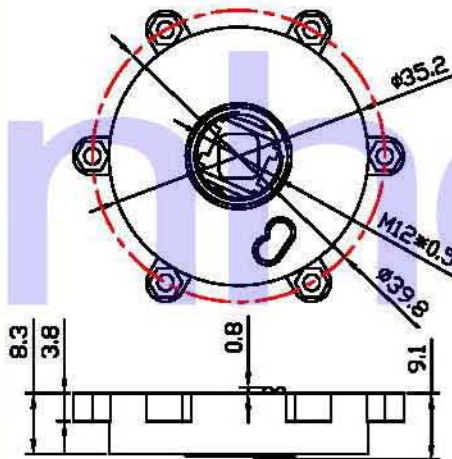
总重量 Total Weight: 8.4g
应用范围: 可视门铃
APPLICATION: The Door IP Intercom

综合特性

Characteristics:

1. 驱动类型: 励磁式
Drive Type: Excitation Type
2. 工作电压: DC 2-5V
Voltage :DC 2-5V
3. 工作环境 Operating Environment:
温度: -30 ~ 85℃
湿度: 0 ~ 90%
Temp: -30 ~ 85℃
Relative humidity: 0 ~ 90%
4. 滤光片切换响应时间: 50ms
Response time: 50ms
5. 寿命: 典型值为10万次 (on 0.05s, off 0.25s)
Lify cycle: 1,000, 00 cycles (on 0.05s, off 0.25s)
6. 绝缘等级: B类
Insulation class: class B
7. 安装CCD和CMOS芯片的窗口高度A和孔距B尺寸及镜头座可以提供不同规格, 并可以按客户要求定做. There are several window height size and hole distance size for selection, also can do according to customer requirments

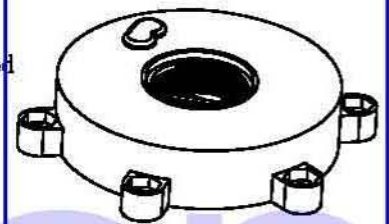
类型Type: M12



单位:mm Units:mm

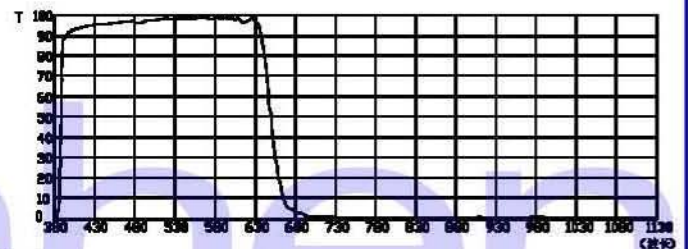
轴测图

Axonometric (al) drawing



镜片光谱图

1. IR Filter spectrum :



2. AR Filter spectrum :

